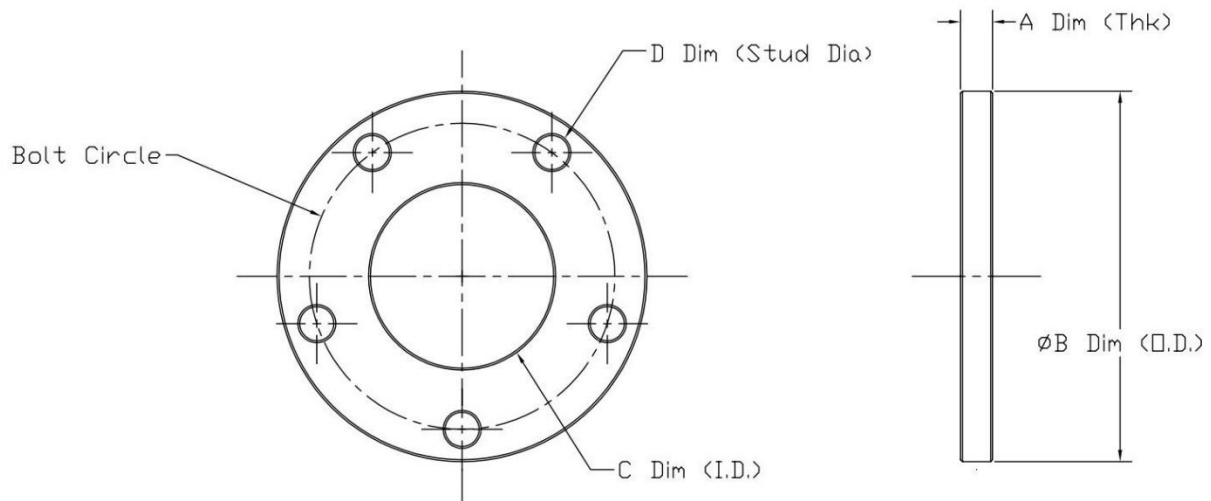


TRM WHEEL SPACER ORDER FORM

Provide the desired dimensions according to diagram



ENTER THE DESIRED DIMENSIONS ACCORDING TO DIAGRAM

1. A dimension – Thickness
2. B dimension – Outside Diameter
3. C dimension – Inside Diameter
4. D dimension – Stud Diameter
5. Number of Studs
6. Bolt Circle Diameter
7. Vehicle Application (Chevy, Ford, Mopar)